



GRILL
SEC003E
 Salamander

**CONSTRUCTION
 FEATURES**

- Stainless steel construction
- Adjustable upper plate to have the heating surface closer to the food
- Safety thermostat to avoid overheating
- Steel grill and drip tray to collect cooking juices, simple to remove to facilitate cleaning
- Cooking surface dimension: GN 1/1

**FUNCTIONAL
 FEATURES**

- Electronic controls with digital display protected by a polycarbonate panel
- Possibility of selecting the cooking zone, activating 1 or 2 heating elements
- Cooking time setting up to 20' with digital control panel
- High performance fast infrared resistors (2)
- Kit for hanging the salamander on the wall, included


**OPTIONS
 & ACCESSORIES**

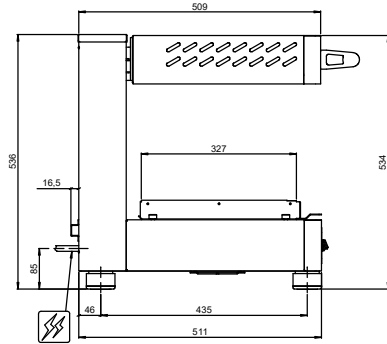
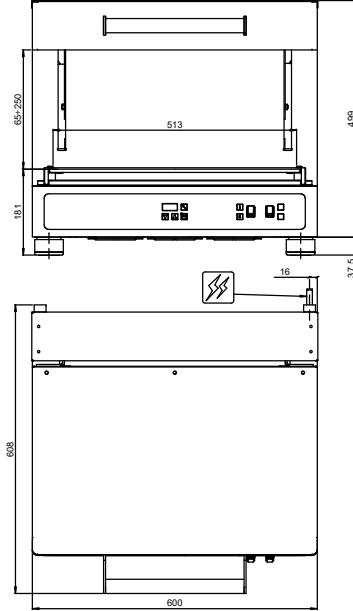
- Trays
- Adjustable feet
- Stand with side racks GN1/1
- Non-stick trays
- Top cover (steel or RAL color)



moduline

TECHNICAL INSTALLATION DIAGRAM

Electricity supply cable inlet 



Overall dimensions (W x D x H) - mm 600 x 608 x 536h

Cooking plate 1 GN 1/1

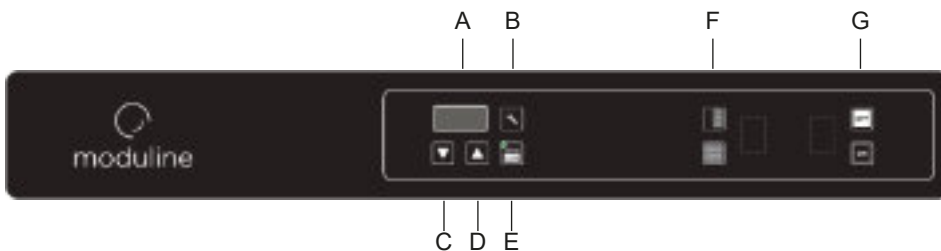
Upper heating plate [mm] 490 x 235 (2 heating elements)

Net weight [Kg] 58,5

Power supply AC 220-240V 50/60Hz

Total input [kW] 4,1 (230V)

Amps. [A] 18 (230V)



- A Display
- B Service button
- C Time set decreasing button
- D Time set increment button
- E START/STOP button
- F Selection of upper heating elements
- G ON/OFF switch

MODULINESRL

Via dell'Industria 11, Z.I. San Giacomo di Veglia 31029 Vittorio Veneto (TV) - ITALY
tel. +39 0438 5063 - fax +39 0438 912 323 - info@moduline.it - www.moduline.it